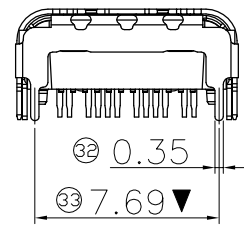
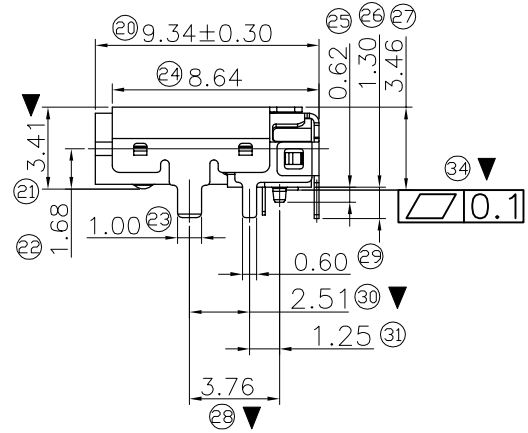
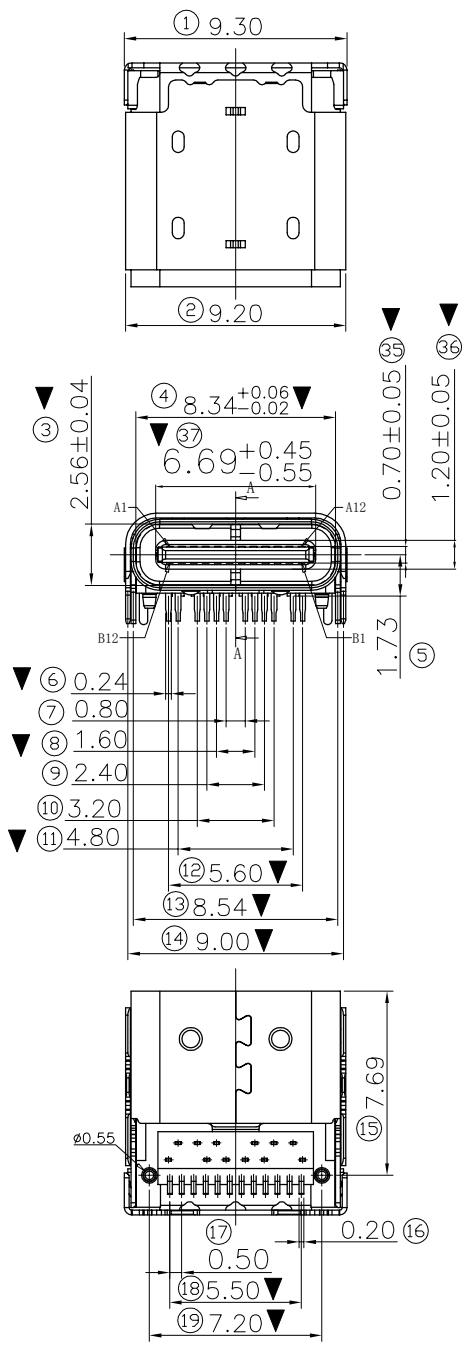


REV.	DATE	ECN.NO	MODIFY.CONTENT	APPROVER
A0	2021.06.25		初版发行	JASON



NOTE:

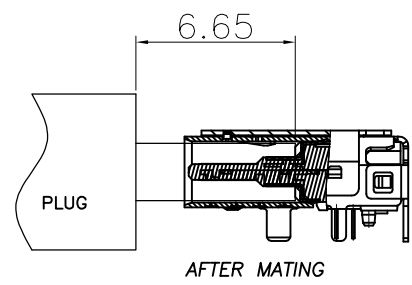
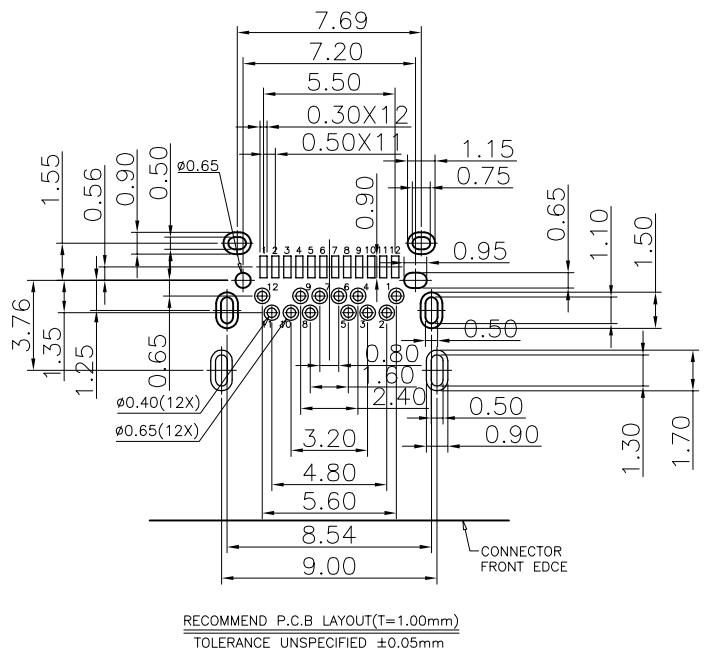
- MATERIAL SPECIFICATION:
 - HOUSING:LCP COLOR SEE TABLE 1,UL94 V-0.
 - CONTACTS:COPPER ALLOY(C18400)
 - MID PLATE&SPRING: STAINLESS STEEL(SUS301)
 - FRONT SHELL&COVER: STAINLESS STEEL(SUS304)
- PLATING SPECIFICATION:
 - CONTACTS:
 - Ni 50u" MIN. UNDER PLATED OVER ALL.
 - Au 3u" PLATED ON THE FUNCTIONAL AREA OF CONTACT. (GOLD PLATING THICKNESS FOLLOW THE P/N)
 - PLATING SPECIFICATIONS OF THE SOLDER AREA FOLLOW THE P/N
 - FRONT SHELL & COVER:
 - Ni 30u" MIN. UNDER PLATED OVER ALL.
 - MID PLATE & EMI SPRING:
 - CLEAR ONLY
- MECHANICAL PERFORMANCE,
 - INSERTION FORCE: 0.5~2.0kgf.
 - REMOVAL FORCE: 0.8kgf~2.0kgf.
 - DURABILITY: 10000 CYCLES.
- ELECTRICAL PERFORMANCE,
 - CURRENT RATING:3.0A
VOLTAGE RATING:5.0V
 - LLCR:
 - VBUS & GND PINS AND OTHER PINS: 40mΩ/PIN MAX.
 - SHIELD: 50mΩ/MAX.
 - LLCR MAX. CHANGE OF ALL PINS: 10mΩ.
 - INSULATION RESISTANCE: 100MΩ MIN
 - DIELECTRIC WITHSTAND VOLTAGE,AC 100V FOR 1 MINUTE.
- ENVIRONMENTAL PERFORMANCE:
 - OPERATING TEMPERATURE: -25°C~+85°C.
 - MAJOR DIMENSION:▼
LEAD FREE AND ROHS COMPLIANT PRODUCT

TABLE 1

ITEM	HOUSING COLOR	PLATING	
		MATING AREA	SOLDER AREA
1	BALCK	Au	Au:G/F
2	BALCK	Au	Au:G/F

GENERAL TOLERANCE			UNITS	NAME(INTENDED USE)		ATOM 深圳市爱特姆科技有限公司 SHENZHEN ATOM TECHNOLOGY CO.,LTD. TITLE: Customer' drawing USB TYPE C 24P FEMALE SMT+DIP 90°C TYPE 外壳六脚插板 前插后贴 带定位柱 L=9.34 DWG NO.: ATOM-A06922
SELECT	1	2	mm	USB		
ON.	1	2		PART NO.(INTENDED USE)		
X.XXX	±0.10	±0.15	±0.20	USB624FC-G2013200		
X.XX	±0.15	±0.20	±0.25	FINISH	APPD: Abel	SCALE
X.X	±0.20	±0.25	±0.30	Q'TY	CHKD: Frank	SHEET
X.	±0.25	±0.30	±0.50		DR: XCF	REV.
ANGLE	±3'					1:1

REV.	DATE	ECN.NO	MODIFY.CONTENT	APPROVER
A0	2021.06.25		初版发行	JASON



USB TYPE-C PIN ASSIGNMENTS

PIN NUMBER	SIGNAL NAME	PIN NUMBER	SIGNAL NAME
A1	GND	B12	GND
A2	SSTXp1	B11	SSRXp1
A3	SSTXn1	B10	SSRXn1
A4	Vbus	B9	Vbus
A5	CC1	B8	SBU2
A6	Dp1	B7	Dn2
A7	Dn1	B6	Dp2
A8	SBU1	B5	CC2
A9	Vbus	B4	Vbus
A10	SSRXn2	B3	SSTXn2
A11	SSRXp2	B2	SSTXp2
A12	GND	B1	GND

GENERAL TOLERANCE			UNITS	mm	NAME(INTENDED USE)	ATOM ®深圳市爱特姆科技有限公司 SHENZHEN ATOM TECHNOLOGY CO.,LTD.
SELECT		✓	MAT'L	USB	PART NO.(INTENDED USE)	
TOL ON.	1	2	3	FINISH	USB624FC-G2013200	TITLE: Customer' drawing USB TYPE C 24P FEMALE SMT+DIP 90°C TYPE 外壳六脚插板 前插后贴 带定位柱 L=9.34
X.XXX	±0.10	±0.15	±0.20	Q'TY	APPD: Abel	DWG NO.: ATOM-A06922
X.XX	±0.15	±0.20	±0.25		CHKD: Frank	SCALE SHEET REV.
X.X	±0.20	±0.25	±0.30		DR: XCF	1:1 2/2 A0
X.	±0.25	±0.30	±0.50			
ANGLE	±3'					