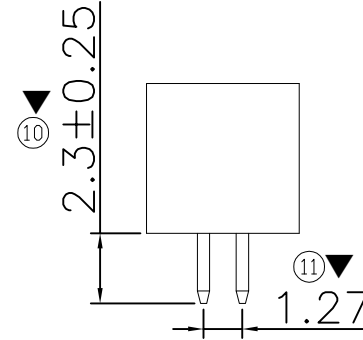
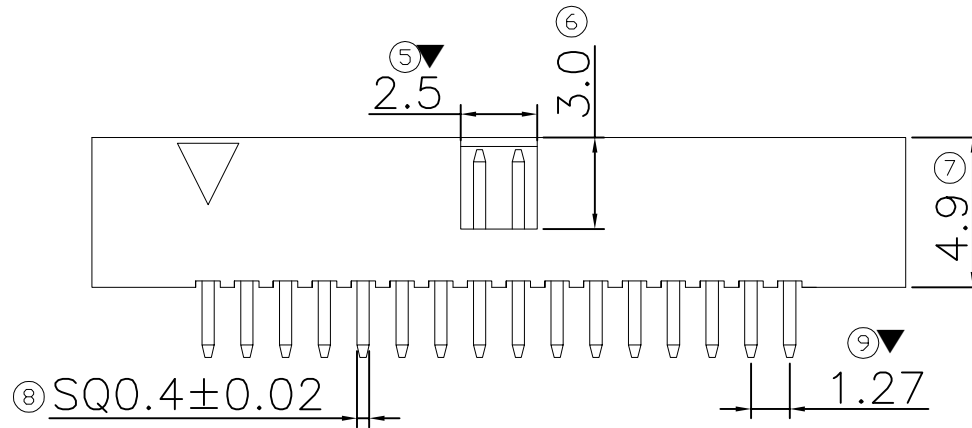
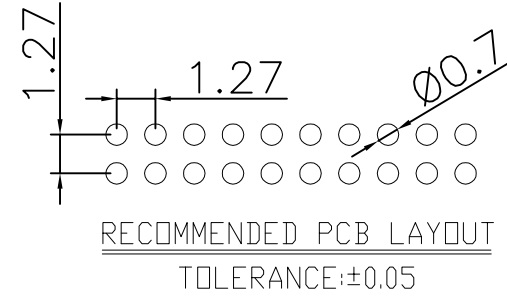
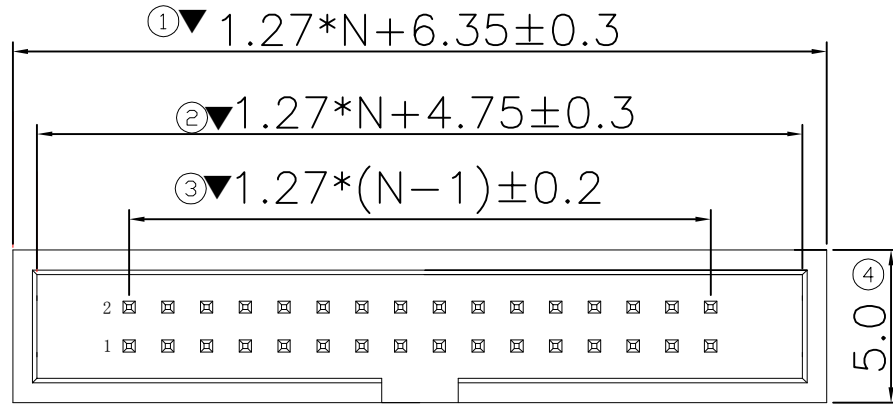


5	6	7	8
REV.	DATE	ECN NO.	MODIFICATION
AO	2023.04.28	/	NEW
			APPROVER
			Abel



SPECIFICATIONS:

- 1.Current Rating: 1 Amp
- 2.Contact Resistance:20mΩ Max
- 3.Insulation Resistance: 1000MΩ min
- 4.Dielectric Withstanding : AC 500V
- 5.Operating Temperature : -25°C~+85°C

Material:

- 1.Contact Material: H65
- 2.Insulator Material: PA6T UL94V-0,black
- 3.plating: Gold flash over nickel plated 30u" min

MAJOR DIMENSION:▼

Products meet RoHS environmental requirements

GENERAL TOLERANCE			UNITS mm	NAME(INTENDED USE)
SELECT	✓			
TOL.	1	2	3	BOX
ON.				
X.XXX	±0.10	±0.15	±0.20	PART NO.(INTENDED USE) BH127**B***
X.XX	±0.15	±0.20	±0.25	
X.X	±0.20	±0.25	±0.30	APPD: Abel
X.	±0.25	±0.30	±0.50	
ANGLE	±2'			CHKD: Vicky
				DR: CHENG

UNITS mm		NAME(INTENDED USE) BOX	TITLE: Customer Drawing For BOX1.27mm 2*XP DIP 180°H=4.9 窗口2.5
MAT'L			
FINISH		APPD: Abel	DWG NO.: ATOM-A08279
Q'TY		CHKD: Vicky	
		DR: CHENG	

ATOM 深圳市爱特姆科技有限公司
SHENZHEN ATOM TECHNOLOGY CO., LTD.

TITLE: Customer Drawing For BOX1.27mm 2*XP DIP
180°H=4.9 窗口2.5

APPD: Abel
CHKD: Vicky
DR: CHENG



SCALE	SHEET	REV.
1:1	1/1	AO